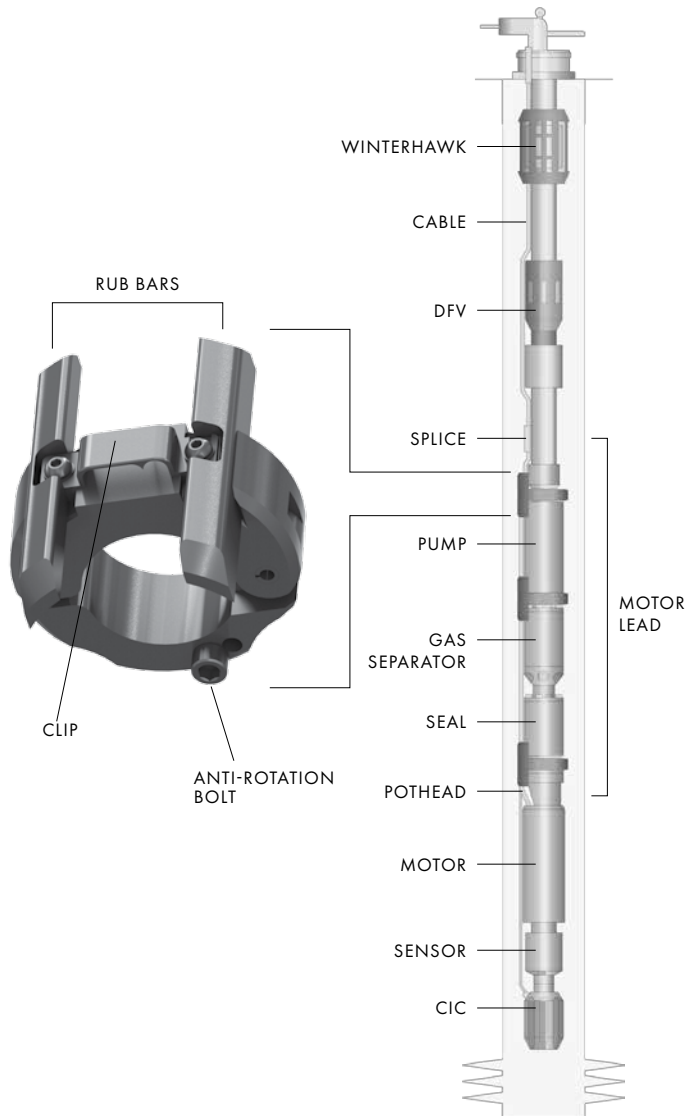


## RE-LI MLE

### MOTOR LEAD EXTENSION (MLE) PROTECTORS



Re-Li Motor Lead Extension protectors are engineered and manufactured to ensure superior fit and enhanced protection, improving reliability of the Electric Submersible Pump System during installation and operation.

#### Applications

- Deviated, vertical or horizontal wells
- Conveyance inside liner casing
- Steam Assisted Gravity Drainage (SAGD) wells
- Geothermal wells
- Offshore wells
- Subsea wells

#### Benefits

- Reduce risk of motor lead extension cable damage during the ESP conveyance in well
- Reduce risk of cable failure due to banding or other cable protectors' overstress to hold the power cable in place.

#### Features

- Available in 316SS, carbon steel, carbon steel design treated with Quench-Polish-Quench (QPQ) process to prevent corrosion
- Special retention plate accepts and protects up to 2 capillary tubes
- Anti-rotation lug prevents protector from rotating
- Available for all sizes and manufacturers of ESP equipment

ESPCTLLC.COM

©2015 C&J Energy Services

Sales of goods and services by C&J Energy Services (through any of its operating companies) will be in accord solely with the terms and conditions contained in the contract between C&J Energy Services and the customer that is applicable to such sale.

CJES-15-256-02



C&J Energy Services