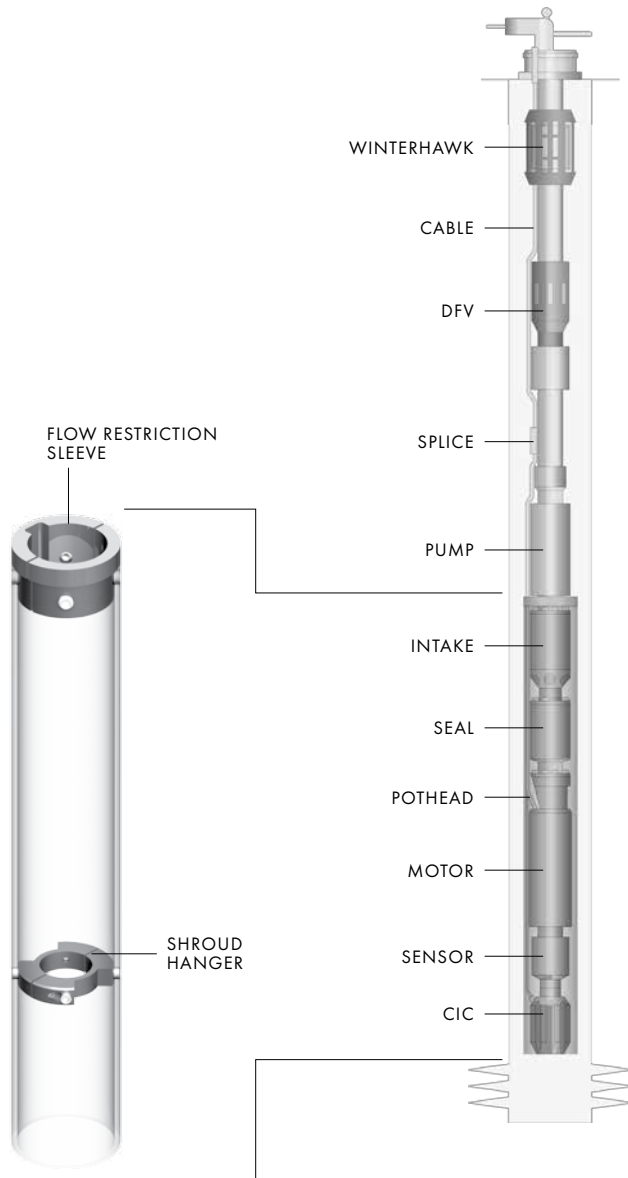


MOTOR SHROUD SYSTEMS FOR ELECTRIC SUBMERSIBLE PUMPS



The ESPCT Motor Shroud system is a tubular shroud that seals from above the pump intake to the bottom of the motor, preventing fluids entering from above and forcing the fluid to enter from the bottom of the shroud.

Applications

- Low flow velocity ESP System applications
- Pump setting below the perforations
- Large bore wells
- Onshore and Offshore wells
- Subsea or Deepwater production

Benefits

- Improves motor performance by increasing fluid velocity across the motor
- Reduces ESP failures due to motor overheating

Features

- Option to use customer supplied casing as the shroud main body
- Custom cut and threaded shroud main body sections
- Any metallurgy can be provided as dictated by well conditions

ESPCTLLC.COM

©2015 C&J Energy Services

Sales of goods and services by C&J Energy Services (through any of its operating companies) will be in accord solely with the terms and conditions contained in the contract between C&J Energy Services and the customer that is applicable to such sale.

CJES-15-256-06



C&J Energy Services