

RE-LI UNIVERSAL WELLHEAD PENETRATOR BASE ASSEMBLY PART NUMBERS LIST

Part Number	Description
ESPCT-1003666	Re-Li Universal Wellhead Penetrator Complete System with seals for round or flat cable #1 or #2, #4, #6, Viton O-Rings with 1-3/4" feed-thru penetrator neck to mate with Tubing Hanger supplied by customer. Junction Box Class 1, Division 2, including (3 EA) bronze cable connectors and (3 EA) silicone isolation boots and ground terminal.
ESPCT-1003669	Re-Li Universal Wellhead Penetrator System with seal for round or flat cable #1 or #2, #4, #6, Viton O-Rings with 1-3/4" feed-thru penetrator neck to mate with Tubing Hanger supplied by customer. (3 EA) Bronze cable connectors and (3 EA) silicone isolation boots. (To replace QCI Penetrator System NO Junction Box)
ESPCT-1003667	Re-Run Kit for Re-Li Universal Wellhead Penetrator System: seals for round or flat cable #1 or #2, #4, #6, Viton O-Rings, (3 EA) bronze cable connectors and (3 EA) silicone isolation boots. This Re-Run Kit will return the entire system to its "as-new" specifications.

Note: Part Numbers subject to change upon final customization or final customer requirements.

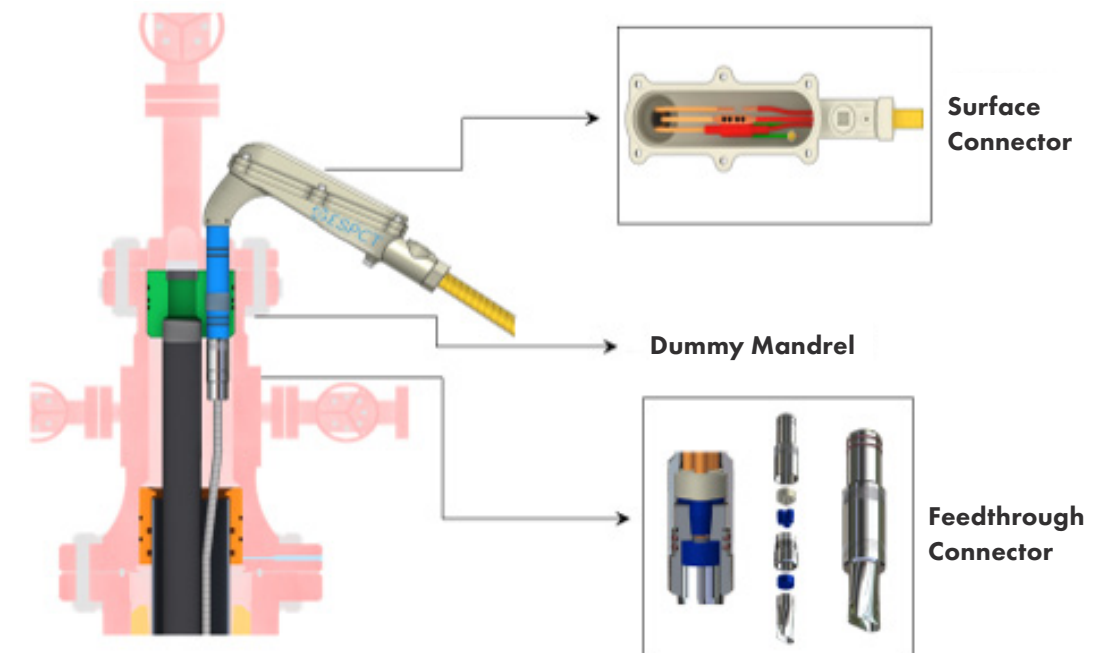
RE-LI UNIVERSAL WELLHEAD PENETRATOR INTEGRATED RELIABLE SOLUTIONS

Benefits

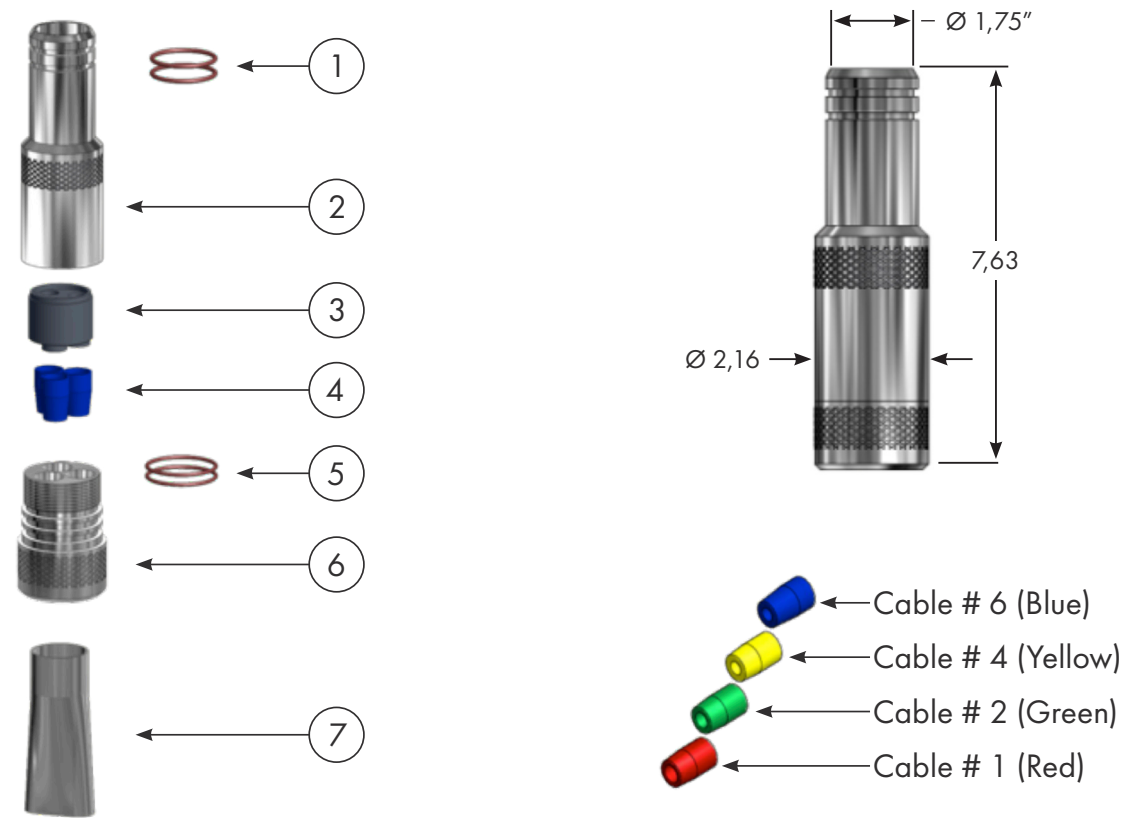
- Eliminates failure points - no electrical connection or splices in or below the wellhead (pass through). The only electrical connections are in the surface junction box.
- Fits any cable size with application of appropriate seal kit size.
- Vented upper connector removes the need for a vented surface junction box.
- 95% reusable and fully repairable at the well site.
- Direct replacement of other brands such as QCI, Taurus, RMS, PFT, EFT, FEPCO, BIW with the use of adapters for any tubing hanger system.
- No epoxy or splicing required, all-weather assembly possible in as little as 15 minutes after cable preparation.
- Can be used in a flooded cellar.
- Adaptable to any casing and tubing sizes.

Features

- Lower feedthrough connector is 316 SS NACE MR 0175. Environment conditions: Concentration 100% CO₂ gas or liquid and 65,000 PPM H₂S. (Other metallurgies available upon request); upper connector is cast aluminum.
- Available in various elastomer materials following customer standards.
- Temperature rating from 392°F to 608°F.
- Optional 90° upper connector reduces clearance issues.
- Short lower mechanical seal connector needs less clearance room.
- Accommodates any ESP cable size conductor and flat or round profiles and different types of conductor barriers.
- Rated to maximum voltage and amperage ratings of the actual customer-supplied cabling or Re-Li-supplied surface cable. Standard voltage rating of seals is 5,000 volts AC.
- Junction box is available in different hazardous environment classifications. Class 1, Division 1 or Class 1, Division 2.
- Pressure rating is 5,000 PSI.

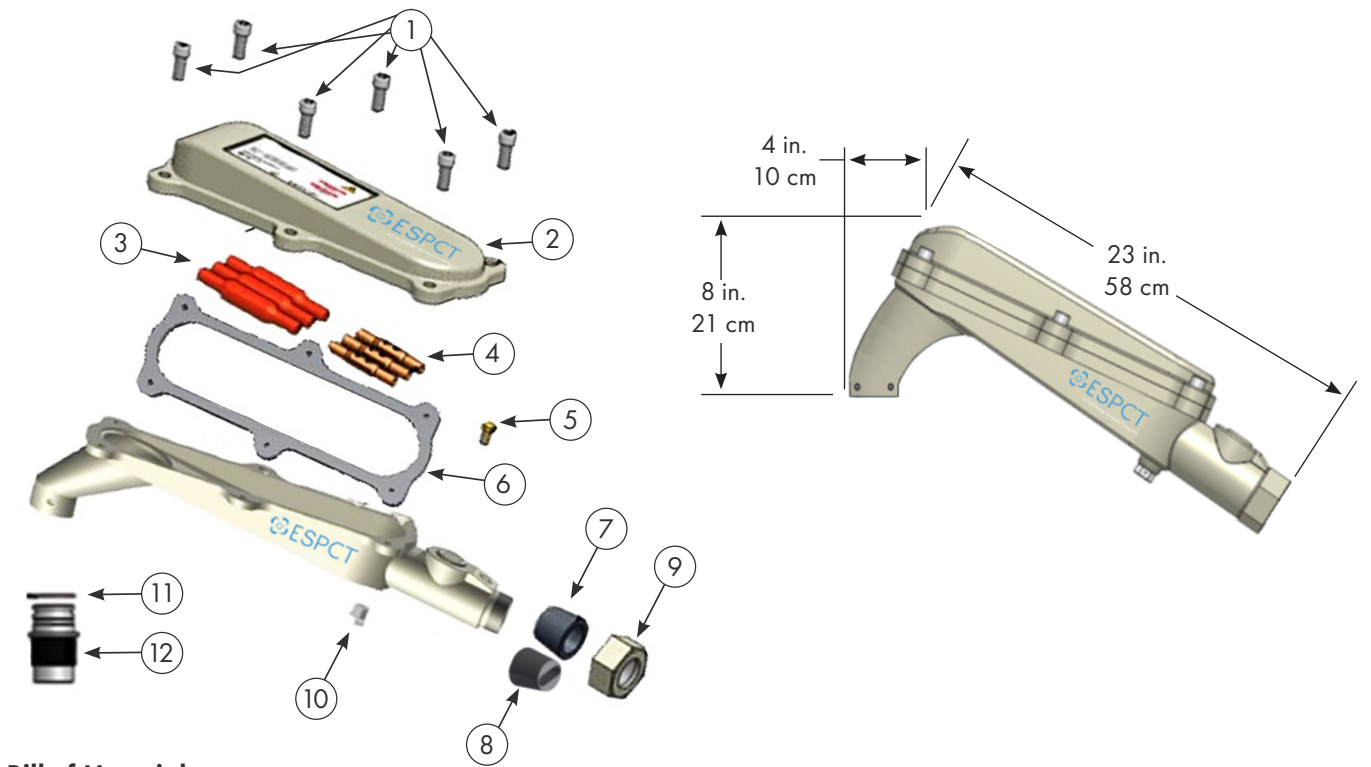


RE-LI UNIVERSAL WELLHEAD PENETRATOR FEEDTHROUGH CONNECTOR



Item	Part Number	Description	Material	Quantity
1	ESPCT-539-0608.4.1	O-ring #129	Viton	2
2	ESPCT-1003914	Upper Mandrel	316 SS	1
3	ESPCT-1003915	Piston	HR Nylon	1
4	ESPCT-1003916	Seals	Viton	3
5	ESPCT-1003917	O-ring #223	Viton	2
6	ESPCT-1003918	Lower Mandrel	316 SS	1
7	ESPCT-1003919	Transition Collar for Flat Cable	316 SS	1

RE-LI UNIVERSAL WELLHEAD PENETRATOR SURFACE CONNECTOR



Bill of Materials

Item	Part Number	Description	Material	Quantity
1	ESPCT-1003920	Screws 3/8" X 1"	304 SS	6
2	ESPCT-1003921	Junction Box and Cover	Aluminum	1
3	ESPCT-1003922	Silicone Isolation Boot	Silicon	3
4	ESPCT-1003923	Cable Connector	Tellurium Copper	3
5	ESPCT-1003924	Ground Terminal Screw 5/16"	Brass	1
6	ESPCT-1003925	Seal Gasket	Neoprene	1
7	ESPCT-1003926	Cable Gland Rubber - Round	Neoprene	1
8	ESPCT-1003927	Cable Gland Rubber - Flat	Neoprene	1
9	ESPCT-1003928	Cable Gland Nut	Aluminum	1
10	ESPCT-1003929	Drain and Vent	304 SS	1
11	ESPCT-1003930	O-ring # 219	Nitrile	1
12	ESPCT-1003931	Adapter 1-1/4" NPT	1045	1