

# MLE PROTECTOR DATA SHEET

Re-Li Motor Lead Extension Protectors are engineered and manufactured to ensure superior fit and performance. They can also be custom made for special applications for equipment. To ensure the fit that our MLE Protectors are known for, please fill out the form below. Please fill out one form for each MLE Protector needed.

Location of Protector (ex: pump base, seal base, etc)

X) Neck OD (inches)

A) Upper Equipment OD (inches)

B) Lower Equipment OD (inches)

C) Usable Neck Length (inches)

D) Total Neck Length (inches)

E) Bolt Circle Diameter (inches)

F) Bolt Size (inches/threads per inch)

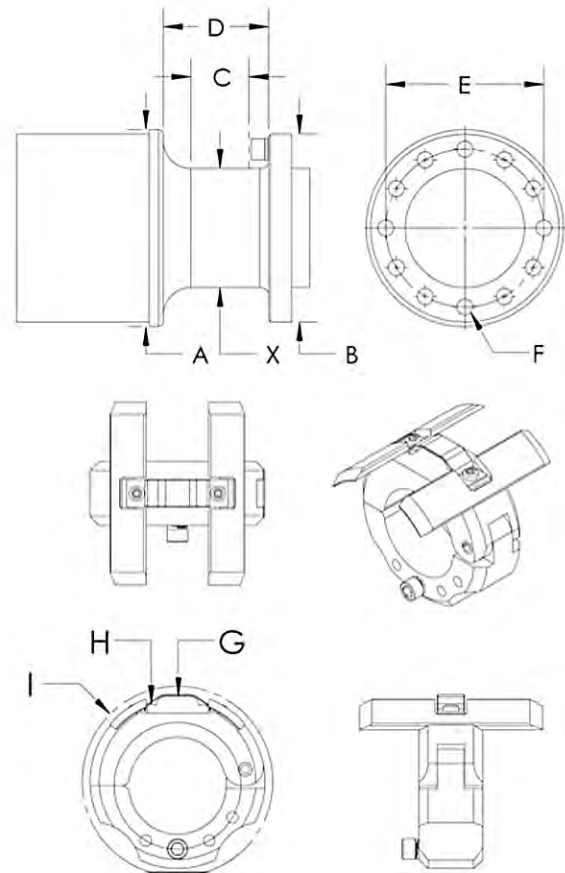
G) MLE Size (inches)

H) Cap Line Size (inches)

I) Casing Size (inches)

Casing Weight (lbs per foot)

Material



Notes